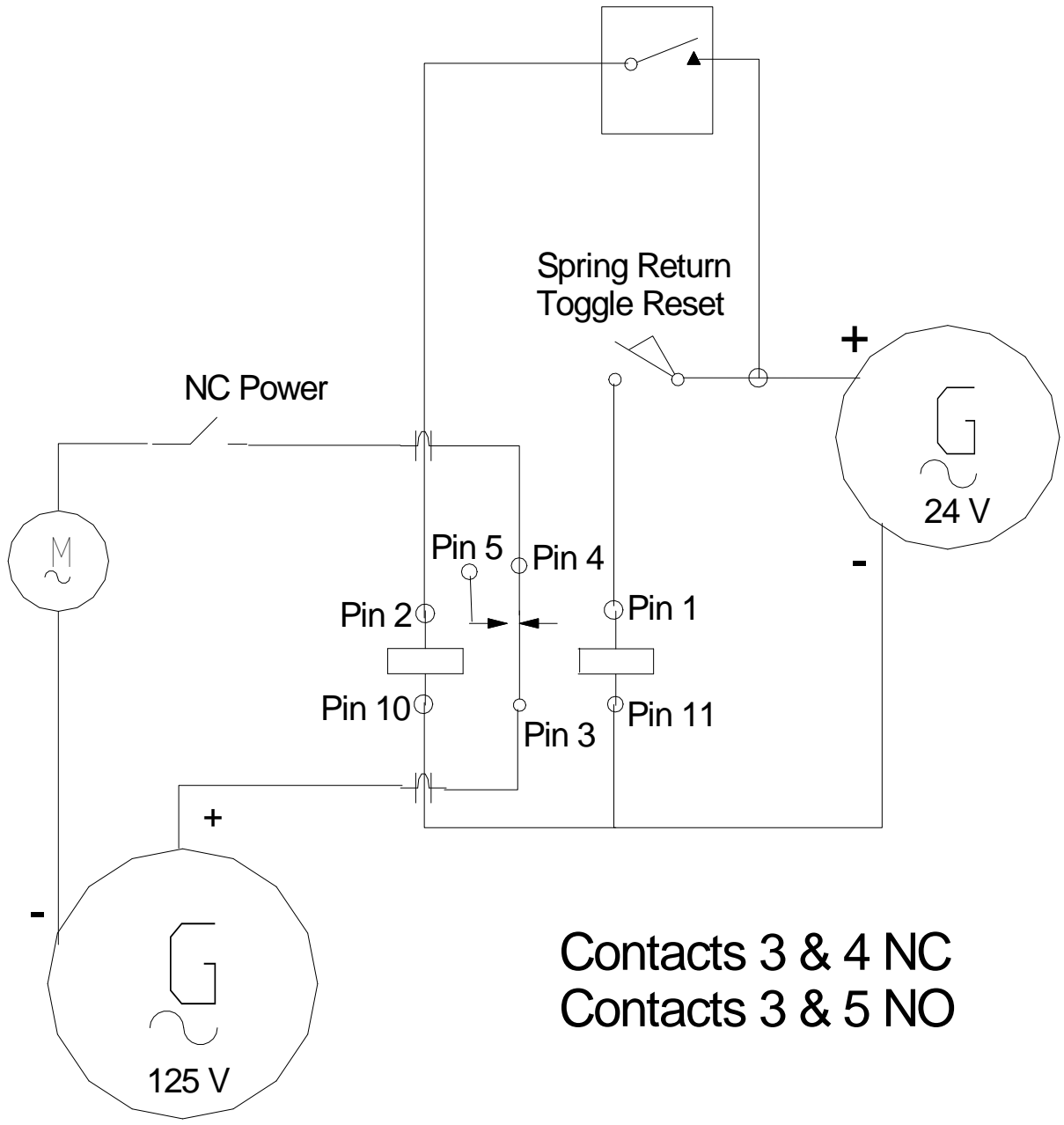


# Low Pressure



Contacts 3 & 4 NC  
Contacts 3 & 5 NO

When Low Pressure Switch closes, relay sets to contacts 3 & 5, removing power from motor.  
To reset must close spring return toggle switch to return relay to contacts 3 & 4 and restore power to motor.